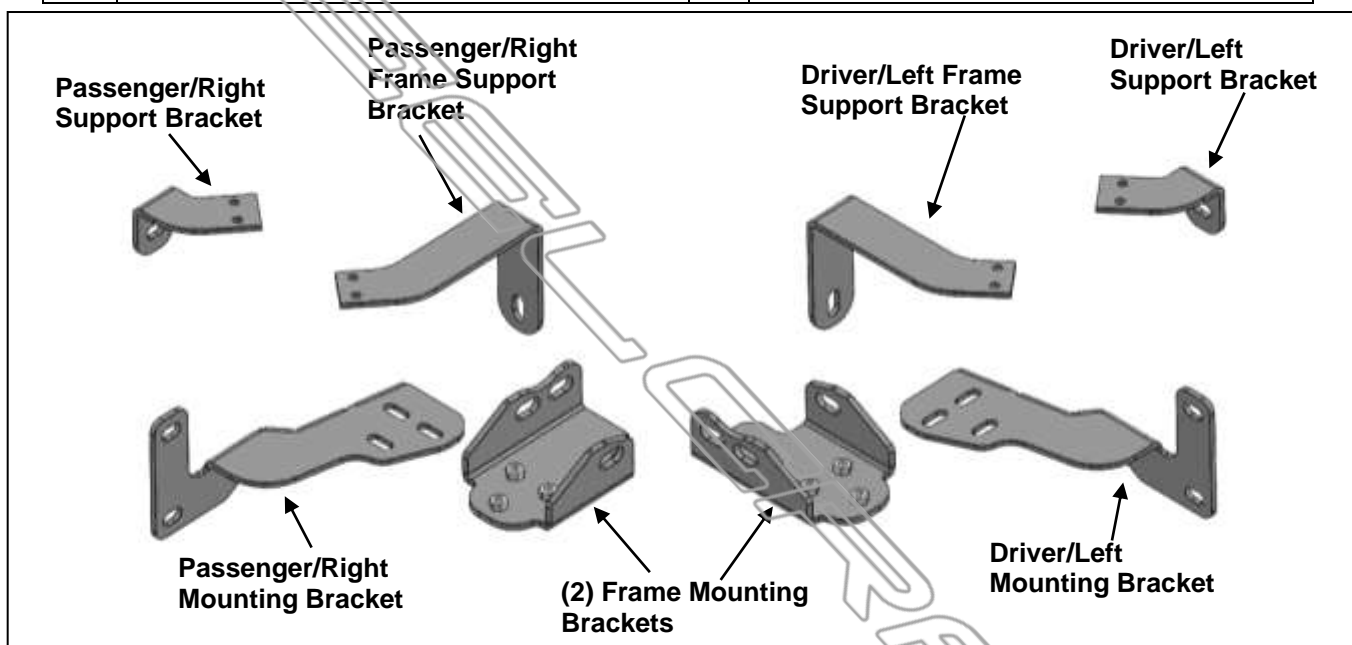


PARTS LIST:

1	Grille Guard	6	12mm Lock Washers
2	Frame Mounting Bracket	6	12mm Hex Nuts
1	Driver/Left Mounting Bracket	6	10mm x 30mm Hex Bolts
1	Passenger/Right Mounting Bracket	12	10mm x 27mm OD x 3mm Flat Washers
1	Driver/Left Frame Support Bracket	6	10mm Lock Washers
1	Passenger/Right Frame Support Bracket	6	10mm Hex Nuts
1	Driver/Left Support Bracket	6	8mm x 30mm Hex Bolts
1	Passenger/Right Support Bracket	6	8mm Lock Washers
2	Adhesive Foam Tape Strips	6	8mm x 24mm OD x 2mm Flat Washers
2	12mm Double Bolt Plates	4	6mm x 20mm Combo Bolts
2	12mm Single Bolt Plates	4	6mm x 18mm OD x 1.6mm Flat Washers
6	12mm x 24mm OD x 2.5mm Flat Washers	4	6mm Hex Nuts



PROCEDURE:

REMOVE CONTENTS FROM BOX AND VERIFY ALL PARTS ARE PRESENT. READ INSTRUCTIONS CAREFULLY. CUTTING MAY BE REQUIRED. ASSISTANCE IS RECOMMENDED. INSTALLATION MAY INTERFERE WITH FRONT MOUNTED SENSORS AND ADAPTIVE CRUISE CONTROL. COMPLETE REMOVAL OF BUMPER COVER AND GRILLE ARE REQUIRED.

1. Remove the front license plate if equipped. Open the hood and remove the plastic cover between the top of the grille and the radiator, **(Figure 1)**. **NOTE:** Use a small flat blade screw driver to pop up the center of the plastic clips.
2. Locate and remove the hardware attaching the grille. Remove the hardware attaching the bumper cover at the ends and along the bottom of the bumper. Remove the hardware attaching the bumper to the frame. On models with fog lights, unplug the wiring harness leading to the front bumper. Carefully pull the grille straight out from the vehicle and release the grille and bumper from the clips, **(Figures 2—5)**. **NOTE:** Make sure all hardware has been removed before pulling on the grille and bumper. Place bumper and grille assembly on a clean surface.
3. Remove the tow hooks. Tow hooks will not be reattached to the vehicle.
4. Locate the end of the frame under the crossbar, **(Figure 6)**. Select the (1) Frame Mounting Bracket. Slide the Bracket onto the end of the frame. Line up the Bracket with the (3) holes in the

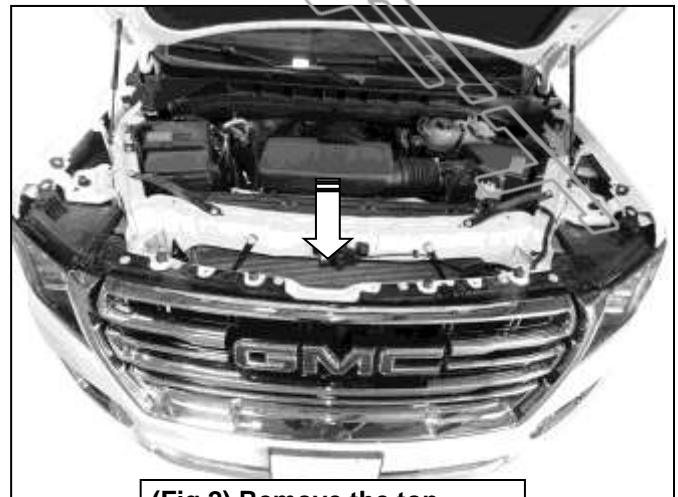
frame for the tow hook. **NOTE:** On models with tow hooks, trim the plastic around the Bracket as necessary for clearance.

5. Select (1) 12mm Double Bolt Plate. Insert the Double Bolt Plate into the end of the frame and out through the (2) holes in the side of the frame. Attach the Bracket to the Bolt Plate with (2) 12mm Flat Washers, (2) 12mm Lock Washers and (2) 12mm Hex Nuts, **(Figures 7—8)**. Do not tighten hardware. Repeat this **Step** to install the 12mm Single Bolt Plate into the single remaining hole in the other side of the frame and Bracket, **(Figures 7—8)**. Do not tighten hardware.
6. Remove the rubber strip over the crossbar. Temporarily remove the factory bolt from the upper crossbar, **(Figure 9)**. Select the Driver/Left Frame Support Bracket. Attach (1) Adhesive Foam Strip to the bottom of the Frame Support Bracket, **(Figure 10)**. Reuse the factory bolt to attach the Frame Support Bracket to the crossbar, **(Figure 11)**.
7. Repeat **Steps 3—5** to attach the remaining (1) Frame Mounting Bracket and the Passenger/Right Frame Support Bracket to the Passenger/Right side.
8. For models without tow hooks, remove the plastic covers to clear the Brackets, **(Figure 12)**. Reattach the bumper and grille.
9. Select the Driver/Left Mounting Bracket. Attach the Mounting Bracket to the Frame Bracket with (3) 8mm Hex Bolts, (3) 8mm Lock Washers and (3) 8mm Flat Washers, **(Figure 13)**. Do not tighten hardware.
10. Select the Driver/Left Support Bracket. Attach the Support Bracket to the Frame Support Bracket with (2) 6mm Combo Bolts, (2) 6mm Flat Washers and (2) 6mm Nylon Lock Nuts, **(Figure 14)**. Do not tighten hardware.
11. Repeat **Steps 8 & 9** to attach the Passenger/Right Mounting Bracket and Support Bracket.
12. Select the Grille Guard. With assistance, hold the Grille Guard up to the outside of the Mounting Brackets. Line up the (2) slots in the bottom of the Grille Guard to the slots in the Mounting Brackets. Attach the Grille Guard to the Mounting Brackets with (4) 10mm Hex Bolts, (8) 10mm Flat Washers, (4) 10mm Lock Washers and (4) 10mm Hex Nuts, **(Figures 15 & 16)**. Do not tighten hardware.
13. Level and adjust the Grille Guard and fully tighten all hardware.
14. Attach the wiring harness if unplugged.
15. Do periodic inspections to the installation to make sure that all hardware is secure and tight.

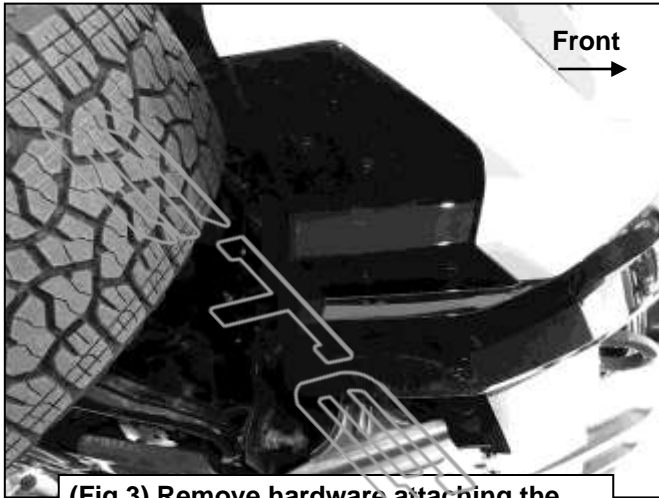
To protect your investment, wax this product after installing. Regular waxing is recommended to add a protective layer over the finish. Do not use any type of polish or wax that may contain abrasives that could damage the finish. Mild soap may be used to clean the Grille Guard.



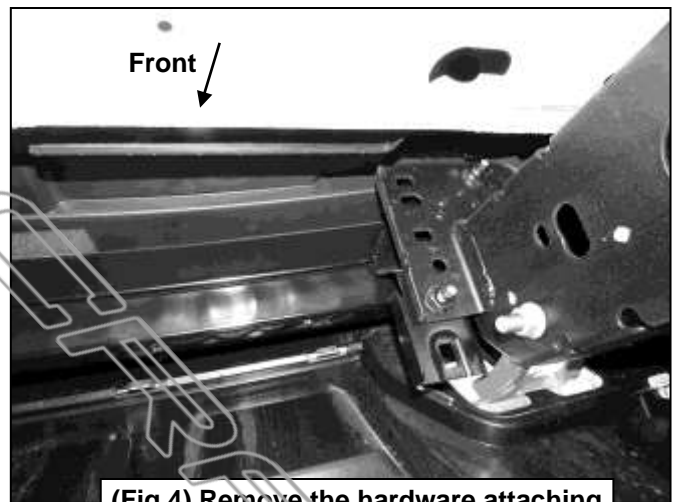
(Fig 1) Remove plastic cover from top of grille



(Fig 2) Remove the top hardware securing the grille



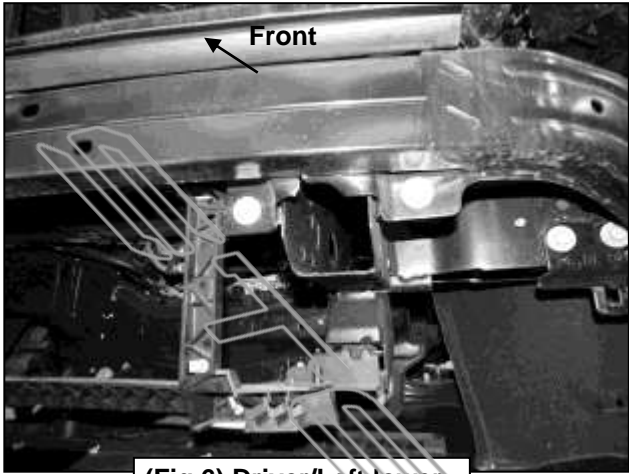
(Fig 3) Remove hardware attaching the splash guard and skid plate (if equipped)



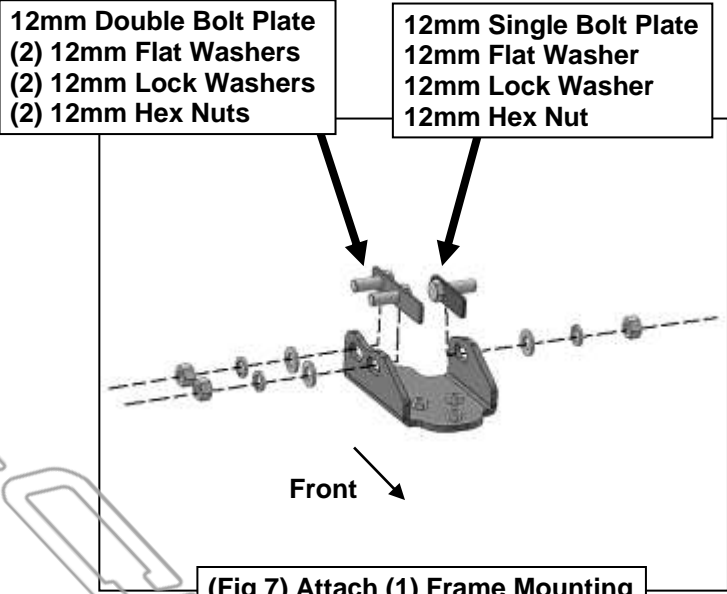
(Fig 4) Remove the hardware attaching the bumper to the frame



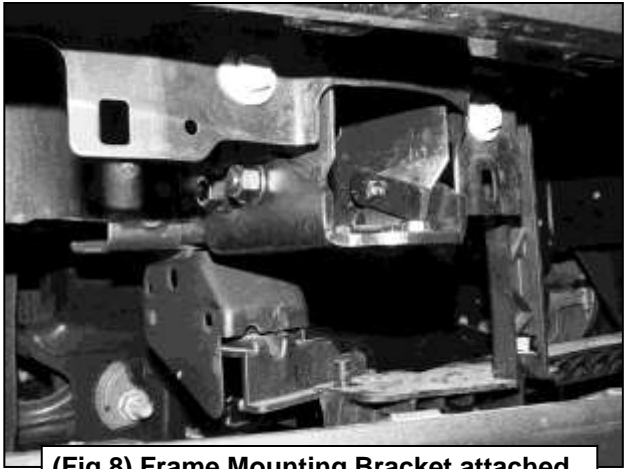
(Fig 5) Grille and bumper removed



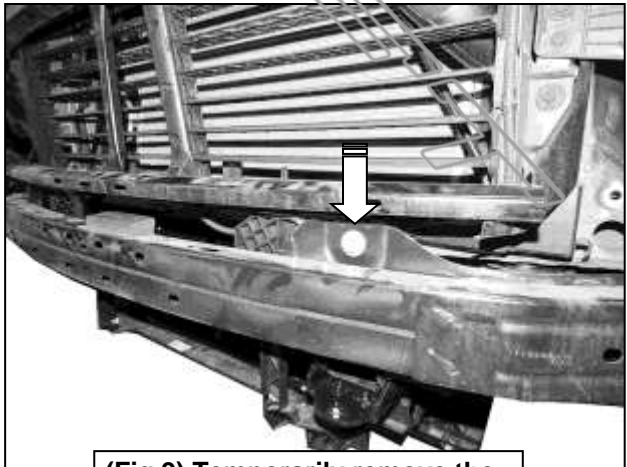
(Fig 6) Driver/Left lower frame mounting location



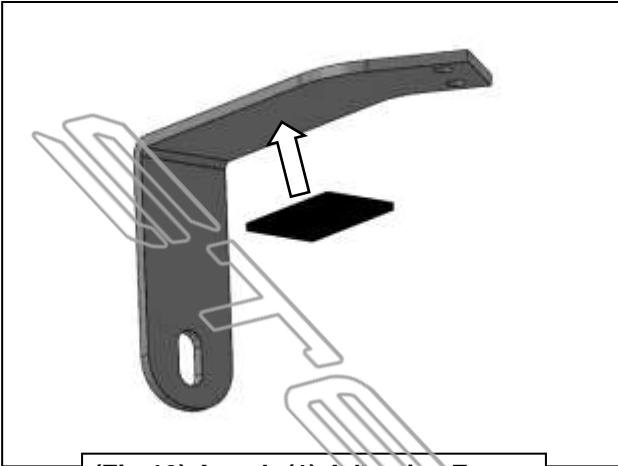
(Fig 7) Attach (1) Frame Mounting Bracket to the end of the frame



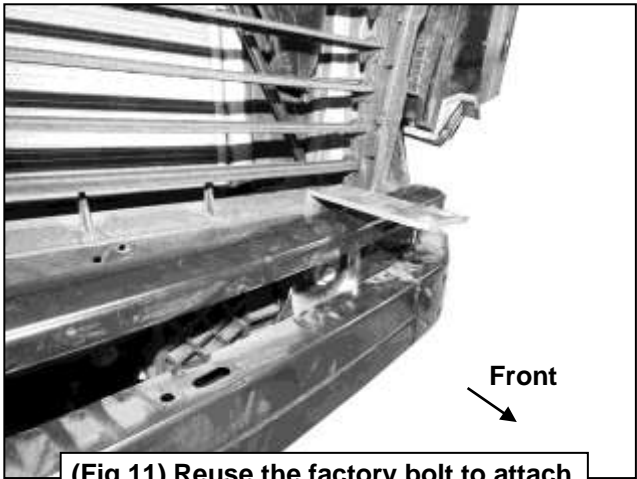
(Fig 8) Frame Mounting Bracket attached



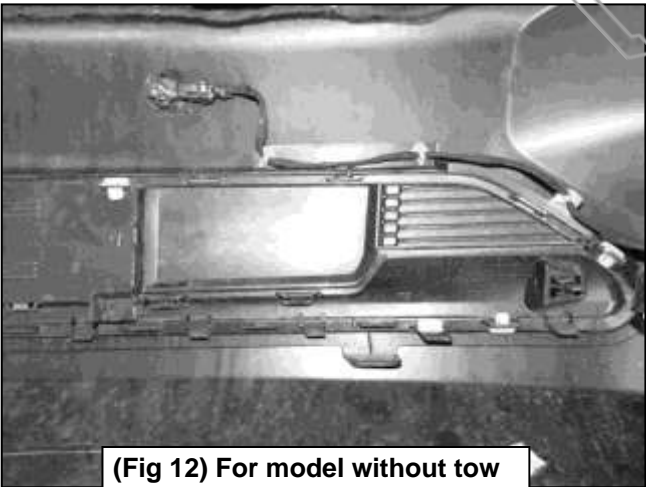
(Fig 9) Temporarily remove the factory bolt above the crossbar



(Fig 10) Attach (1) Adhesive Foam Strip to the bottom of the Driver/Left Frame Support Bracket

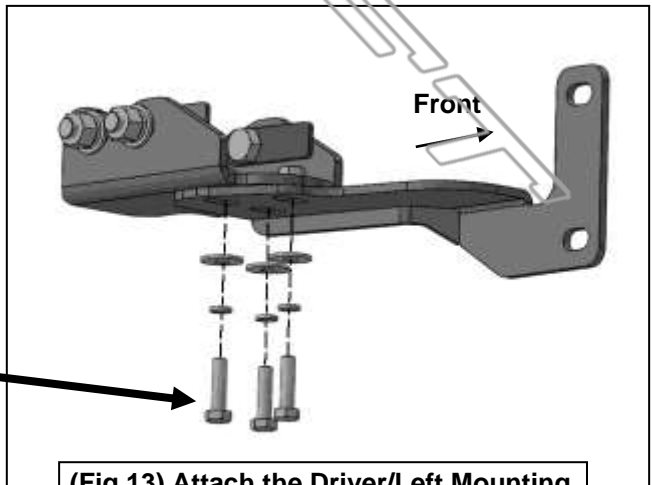


(Fig 11) Reuse the factory bolt to attach the Driver/Left Frame Support Bracket

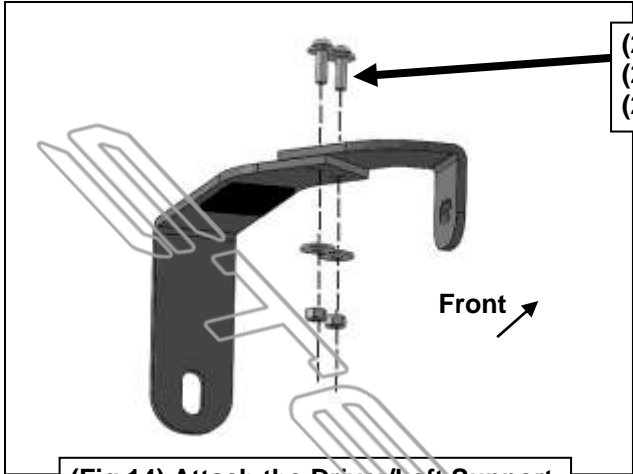


(Fig 12) For model without tow hooks, remove the plastic panel

- (3) 8mm Hex Bolts
- (3) 8mm Lock Washers
- (3) 8mm Flat Washers

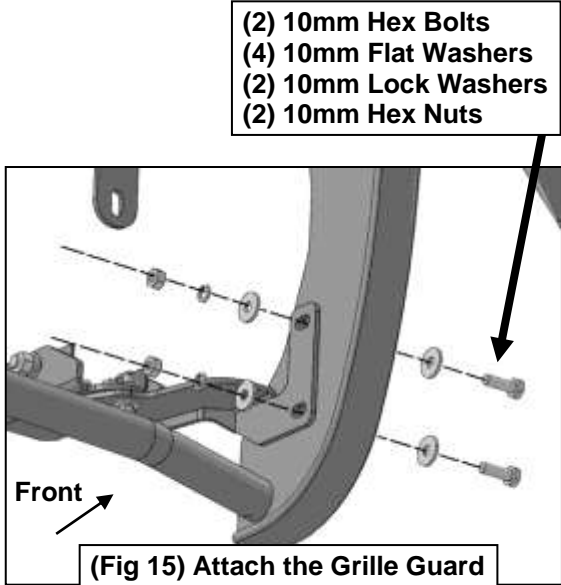


(Fig 13) Attach the Driver/Left Mounting Bracket to the Frame Mounting Bracket



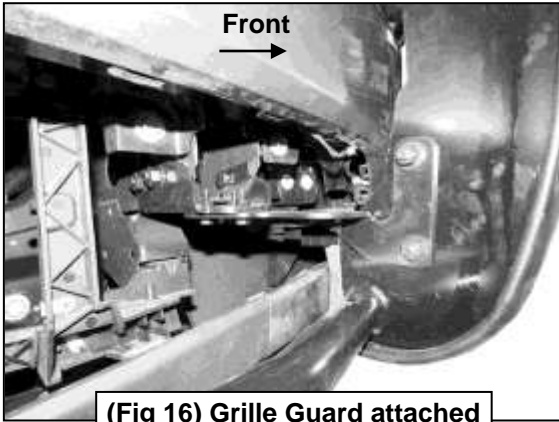
- (2) 6mm Combo Bolts
- (2) 6mm Flat Washers
- (2) 6mm Nylon Lock Nuts

(Fig 14) Attach the Driver/Left Support Bracket to the Frame Support Bracket

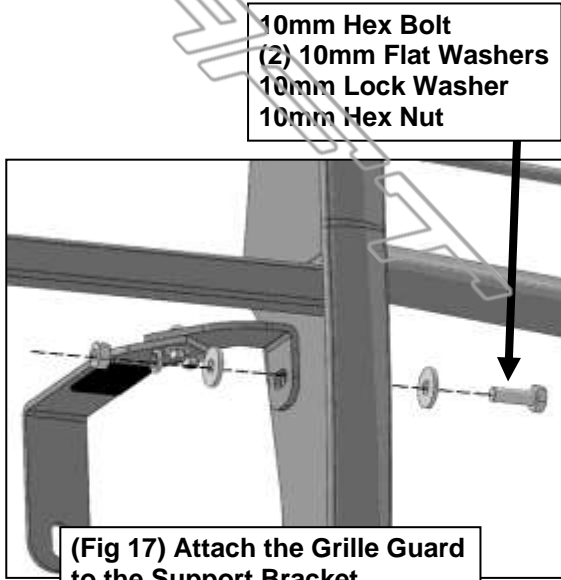


- (2) 10mm Hex Bolts
- (4) 10mm Flat Washers
- (2) 10mm Lock Washers
- (2) 10mm Hex Nuts

(Fig 15) Attach the Grille Guard to the Mounting Bracket



(Fig 16) Grille Guard attached to the Mounting Bracket



- 10mm Hex Bolt
- (2) 10mm Flat Washers
- 10mm Lock Washer
- 10mm Hex Nut

(Fig 17) Attach the Grille Guard to the Support Bracket

